

INPUT CONFIGURATION FOR USA/JAPAN
88VAC - 138VAC 50HZ OPERATION
D303 D304 NOT NEED
JMP302 NEED

INPUT CONFIGURATION FOR EU/UK/AUS
193VAC - 275VAC 50HZ OPERATION
D303 D304 NEED
JMP302 NOT NEED

D

C

B

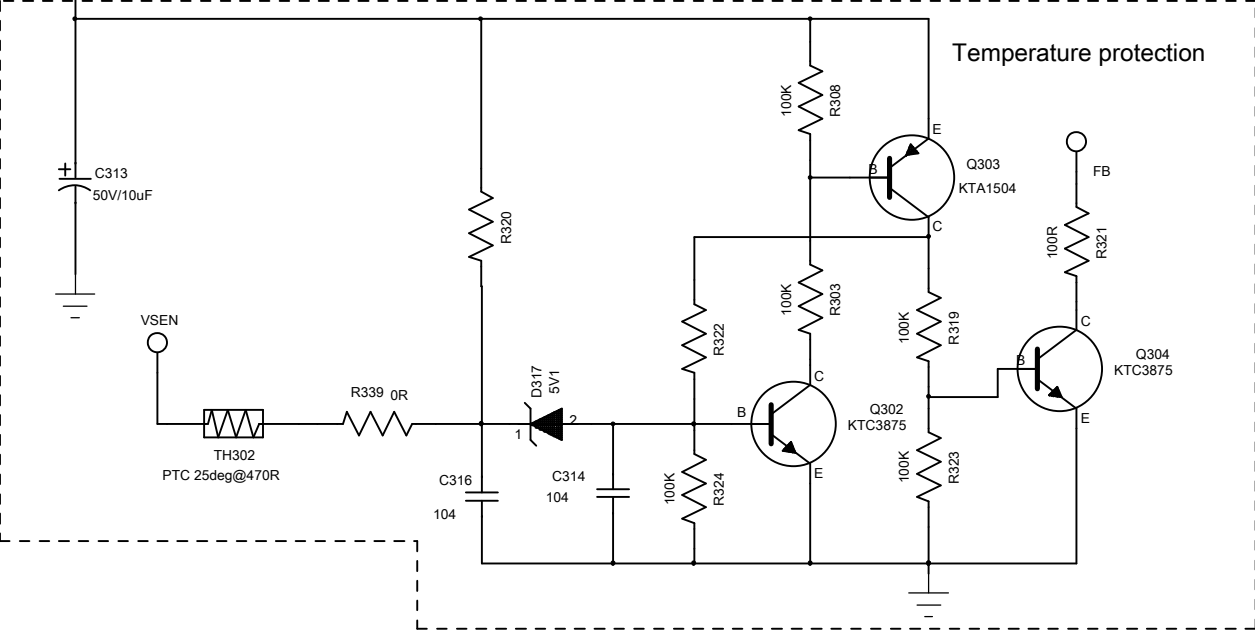
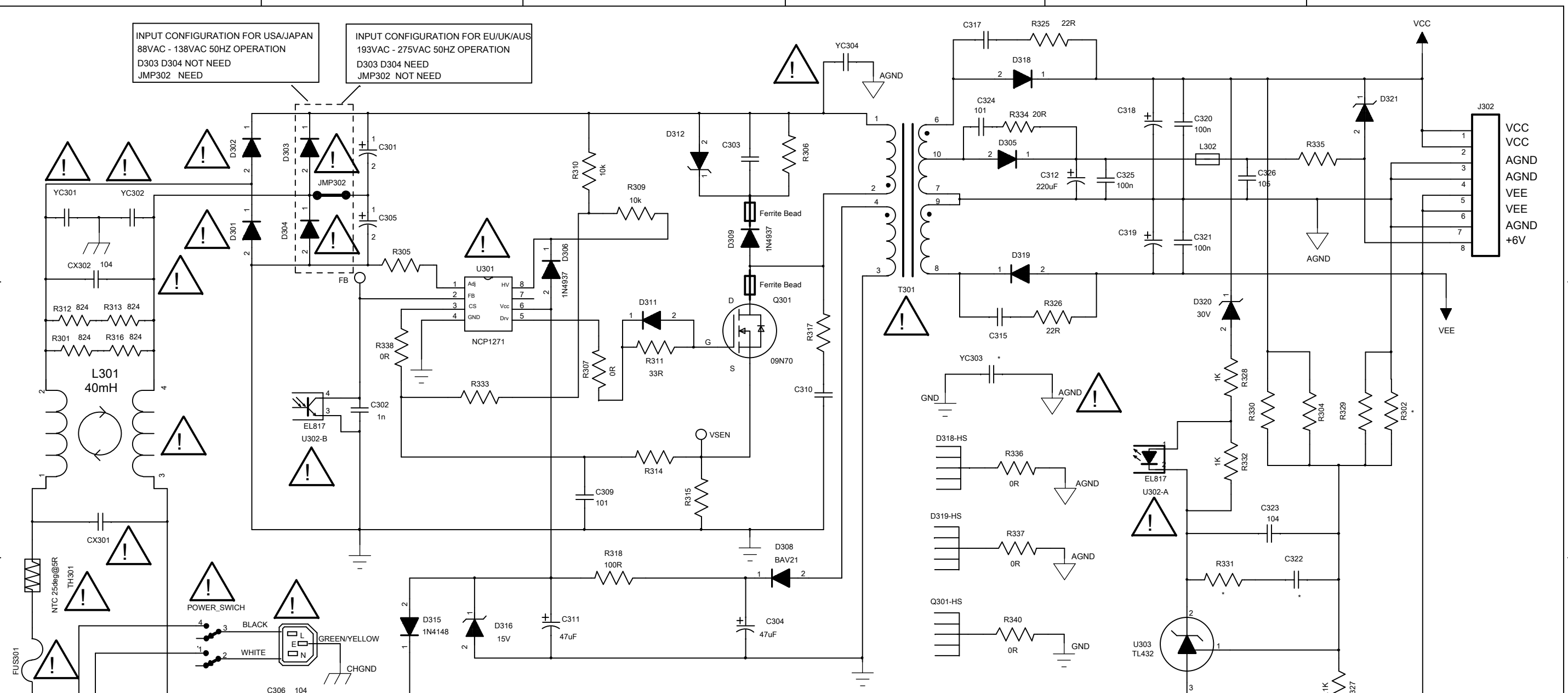
A

D

C

B

A



NAME	Mustang I	Mustang II	
VCC	+19.5V	+27V	
VEE	-19.5V	-27V	
R330	300K	680K	
R304	270K	330K	
R329	75K	100K	
R322	680K	100K	
R317	240R/1W	150R/1W	
R315	0.33/2W	0.22/2W	
R306	33K/2w	75K/2w	
R320	56K	82K	
R314	2.7K	4.12K	
R305	2K	1.2K	
R333	10M	8.2M	
C303	1800P/1000V	1000P/1000V	
C318	C319	470u/25v	1000u/35v
C310		47P/1KV	100P/1KV
C301	C305	180U/200V	330U/200V
C317	C315	1000P/250V	1200P/200V
D301-304	1N4007	RL207	
D318-319	ER502	ER802	
D321	*	22V	
D312	P6KE220A	P6KE200A	
FUS301	T1.6A 250V	T3.15A 250V	
T301	ER25	ER28	
YC301	YC302	680P	1000P
R335	1R	2.2R	
CX301	104	224	
D311	*	1N4148	
YC304	1000P	680P	

Note:1.*=OPEN
(Unless otherwise note)

TITLE: Mustang 12 SMPS			
Product Code:	EFMGMUST12	Customer:	FENDER
SIZE: A3	FILE: EFMGMUST12(A)	SHEET: 1 OF 2	REV: A

GP Electronics (SZ) Limited

A	PRE-PRODUCTION RUN	L Bai	JD ZHONG	Joneson Huang	MAR 29, 2010
Version	Description	APPROVE BY	CHECK BY	DRAWN BY	DATE:

6

5

4

3

2

1

D

D

C

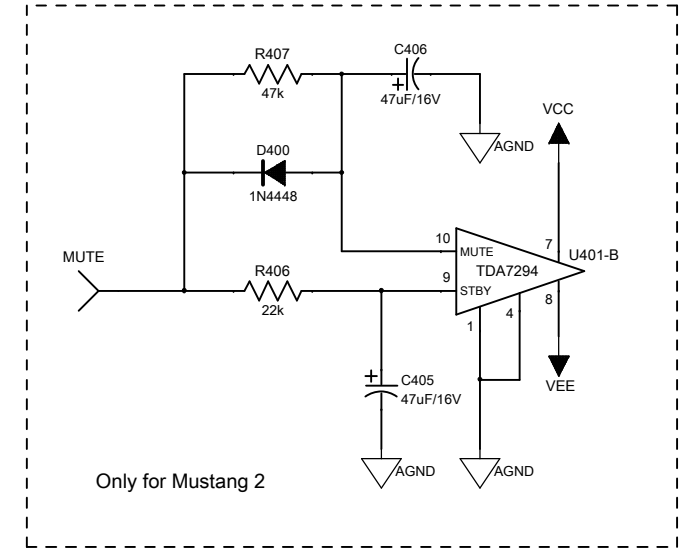
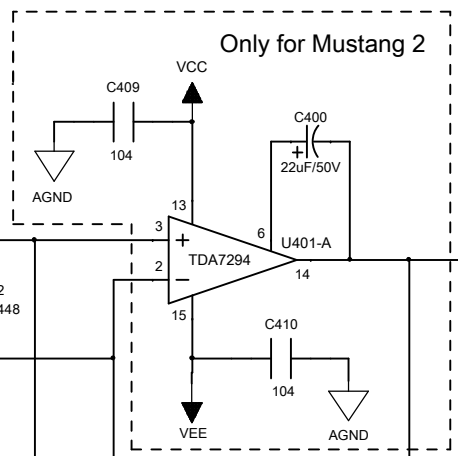
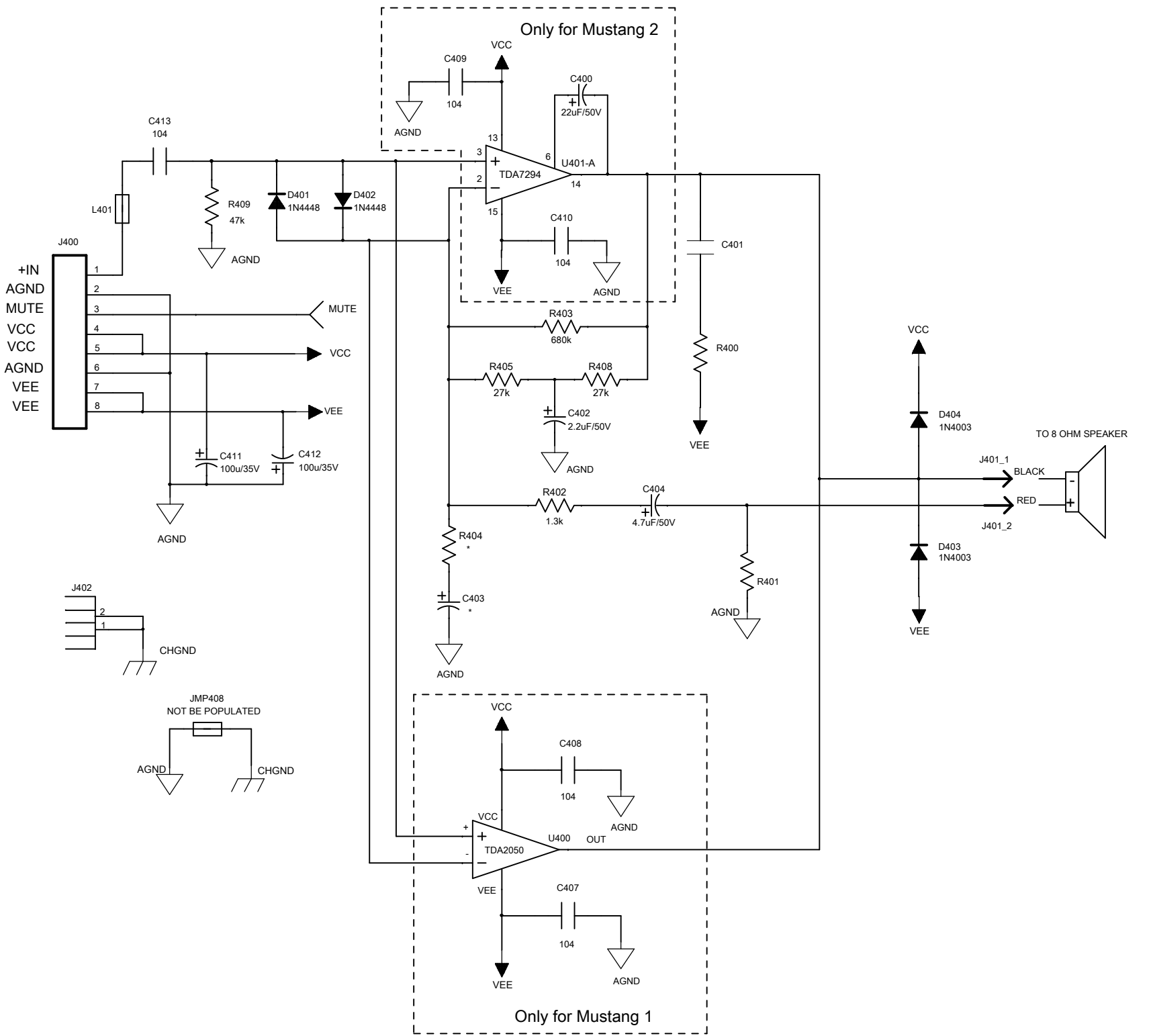
C

B

B

A

A



	Mustang I	Mustang II
R401	0.1R/2W	0.1R/2W
VCC	+19.5V	+27V
VEE	-19.5V	-27V
C401	474	104
R400	2.2R/1W	22R/2W
C400	*	22u/50v

Note:1.*=OPEN
(Unless otherwise note)

TITLE: Mustang12 AMP			
Product Code:	EFMGMUST1-2	Customer:	FENDER
SIZE: A3	FILE: EFMGMUST12(A)	SHEET: 1 OF 2	REV: A

A	PRE-PRODUCTION RUN	L Bai	JD Zhong	Joneson Huang	MAR 29, 2010
Version	Description	APPROVE BY	CHECK BY	DRAWN BY	DATE:

GP Electronics (SZ) Limited

INPUT CONFIGURATION FOR USA/JAPAN
88VAC - 138VAC 50HZ OPERATION
D303 D304 NOT NEED
JMP302 NEED

INPUT CONFIGURATION FOR EU/UK/AUS
193VAC - 275VAC 50HZ OPERATION
D303 D304 NEED
JMP302 NOT NEED

D

C

B

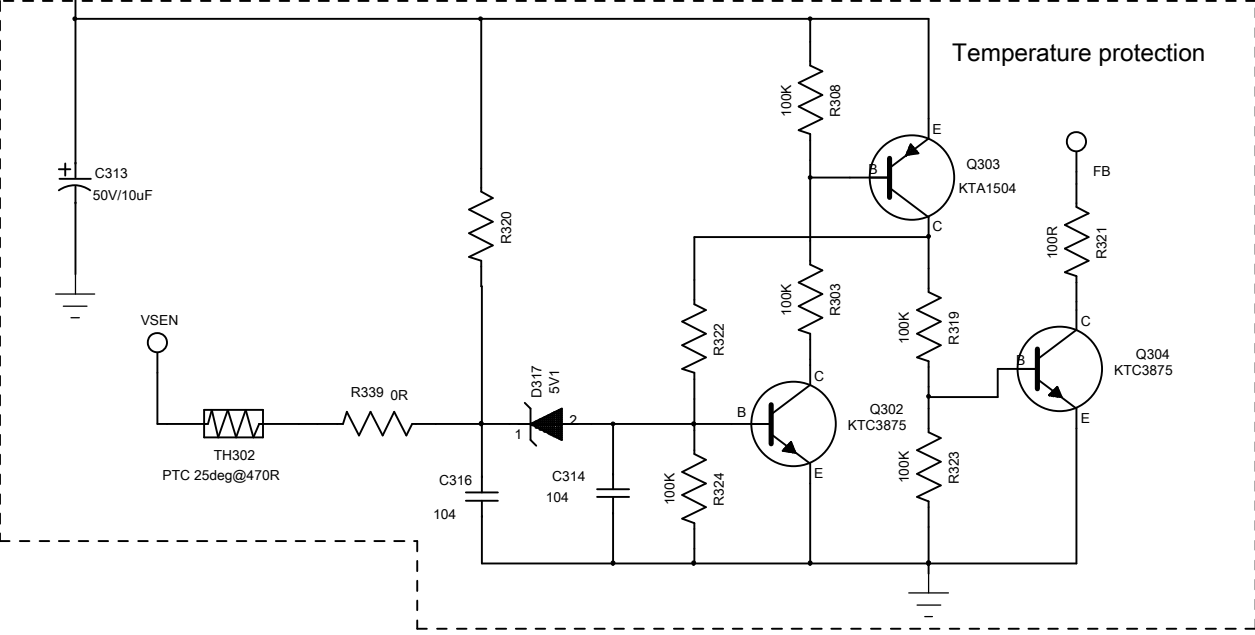
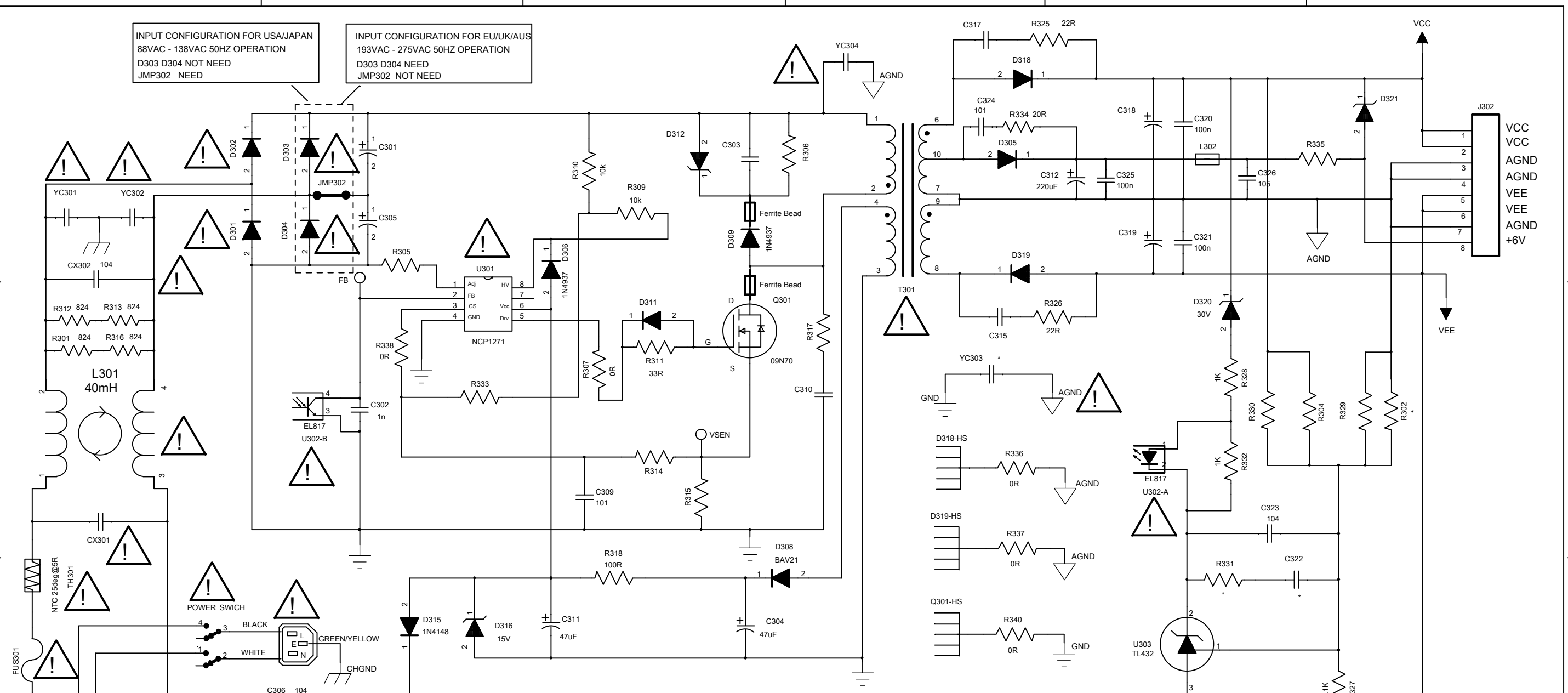
A

D

C

B

A



NAME	Mustang I	Mustang II	
VCC	+19.5V	+27V	
VEE	-19.5V	-27V	
R330	300K	680K	
R304	270K	330K	
R329	75K	100K	
R322	680K	100K	
R317	240R/1W	150R/1W	
R315	0.33/2W	0.22/2W	
R306	33K/2w	75K/2w	
R320	56K	82K	
R314	2.7K	4.12K	
R305	2K	1.2K	
R333	10M	8.2M	
C303	1800P/1000V	1000P/1000V	
C318	C319	470u/25v	1000u/35v
C310		47P/1KV	100P/1KV
C301	C305	180U/200V	330U/200V
C317	C315	1000P/250V	1200P/200V
D301-304		1N4007	RL207
D318-319		ER502	ER802
D321		*	22V
D312		P6KE220A	P6KE200A
FUS301		T1.6A 250V	T3.15A 250V
T301		ER25	ER28
YC301	YC302	680P	1000P
R335		1R	2.2R
CX301		104	224
D311		*	1N4148
YC304		1000P	680P

Note:1.*=OPEN
(Unless otherwise note)

TITLE: Mustang 12 SMPS			
Product Code:	EFMGMUST12	Customer:	FENDER
SIZE: A3	FILE: EFMGMUST12(A)	SHEET: 1 OF 2	REV: A

GP Electronics (SZ) Limited

A	PRE-PRODUCTION RUN	L Bai	JD ZHONG	Joneson Huang	MAR 29, 2010
Version	Description	APPROVE BY	CHECK BY	DRAWN BY	DATE:

6

5

4

3

2

1

D

D

C

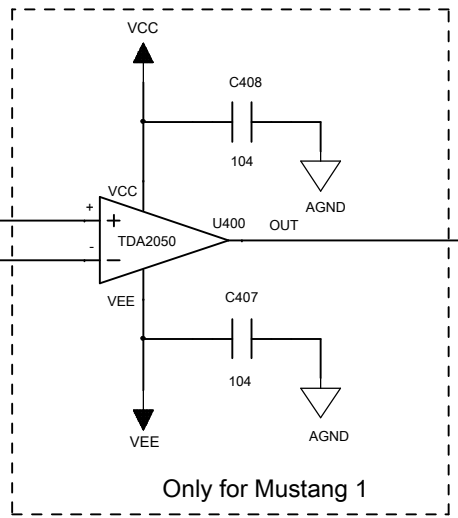
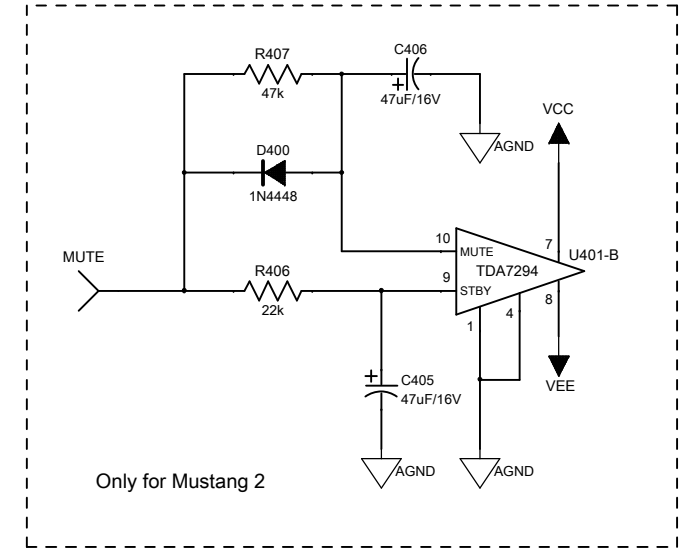
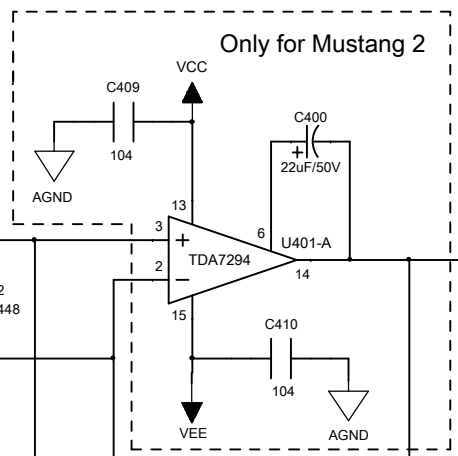
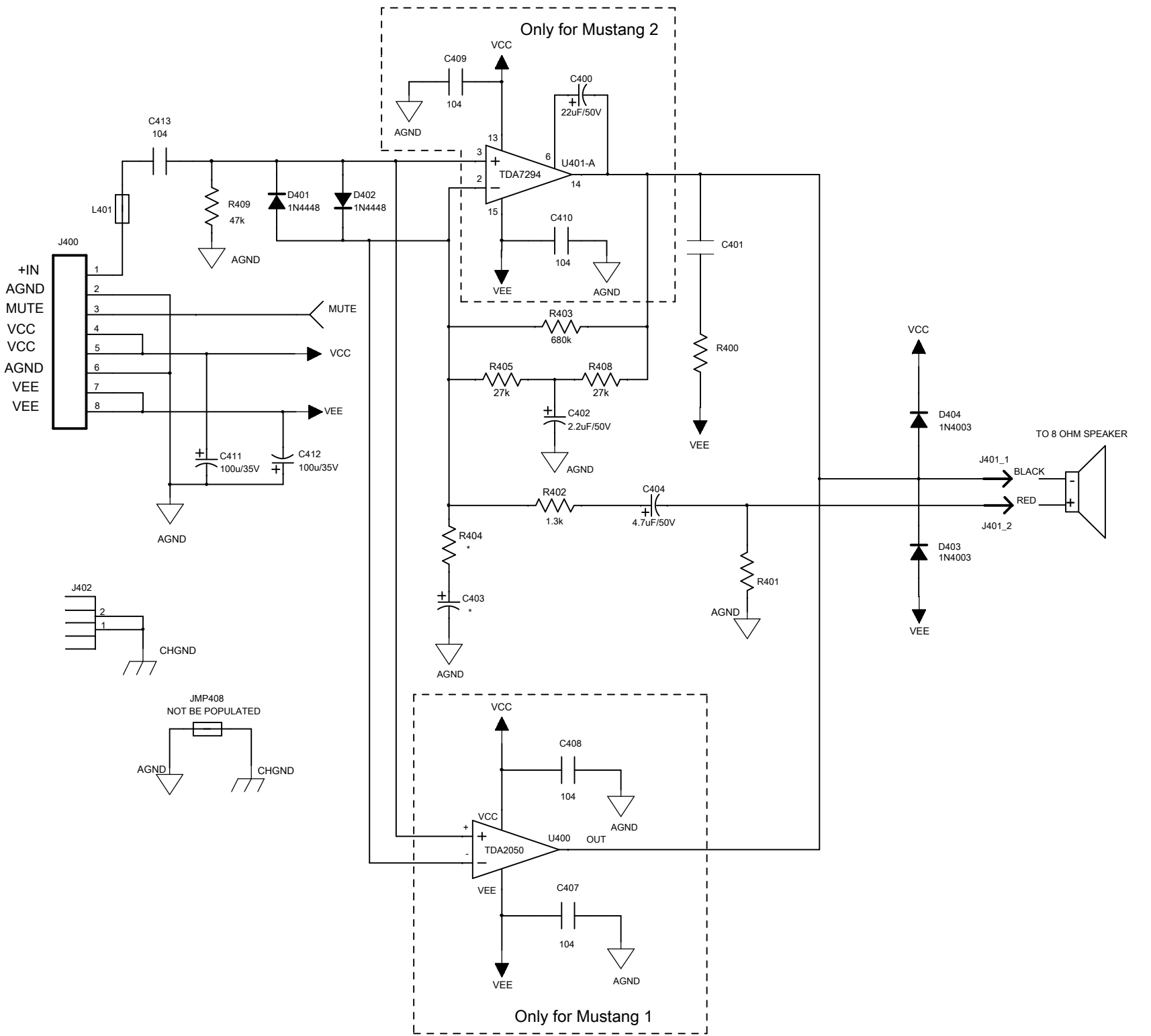
C

B

B

A

A



	Mustang I	Mustang II
R401	0.1R/2W	0.1R/2W
VCC	+19.5V	+27V
VEE	-19.5V	-27V
C401	474	104
R400	2.2R/1W	22R/2W
C400	*	22u/50v

Note:1.*=OPEN
(Unless otherwise note)

TITLE: Mustang12 AMP			
Product Code:	EFMGMUST1-2	Customer:	FENDER
SIZE: A3	FILE: EFMGMUST12(A)	SHEET: 1 OF 2	REV: A

A	PRE-PRODUCTION RUN	L Bai	JD Zhong	Joneson Huang	MAR 29, 2010
Version	Description	APPROVE BY	CHECK BY	DRAWN BY	DATE:

GP Electronics (SZ) Limited

6

5

4

3

2

1

D

D

C

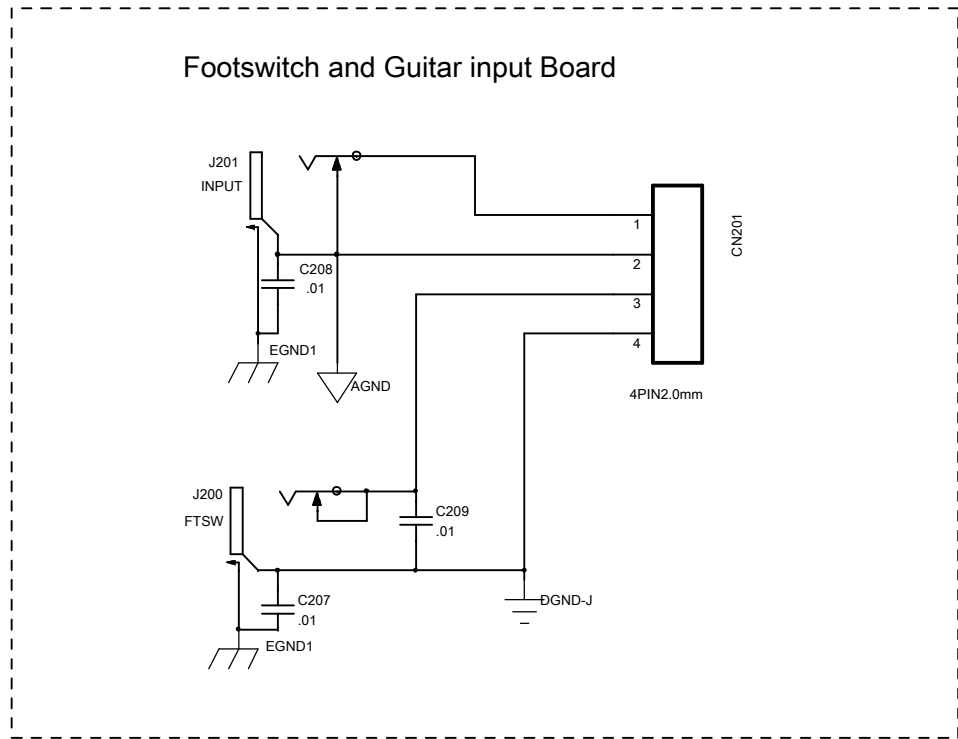
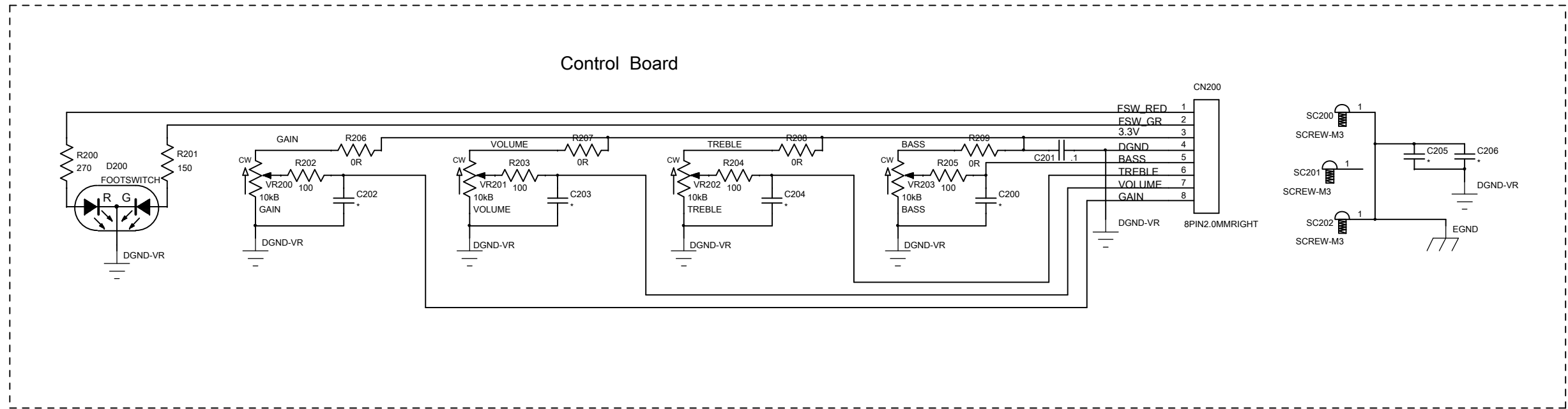
C

B

B

A

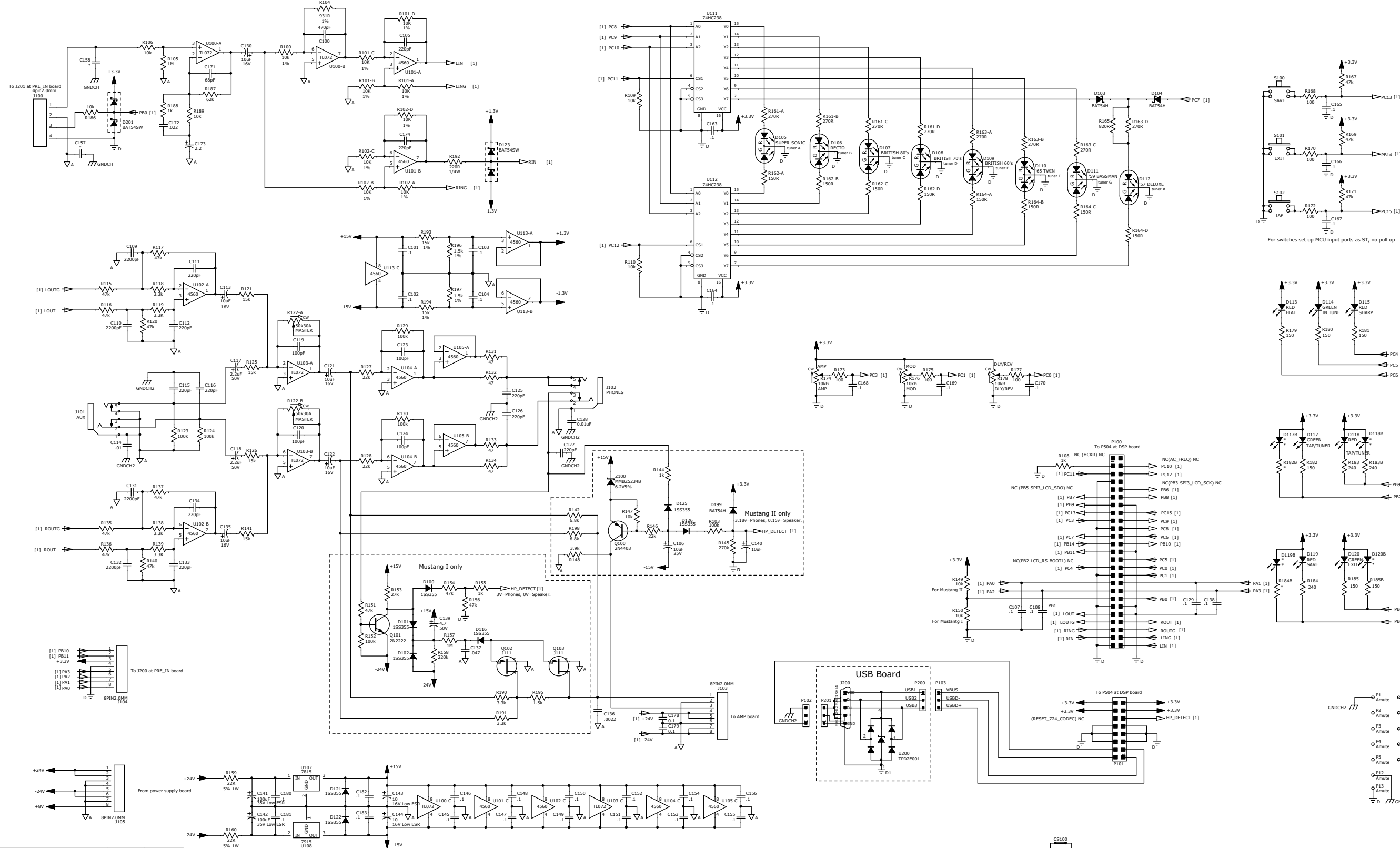
A



A	PILOT RUN 1726-021A+0000 /022A/023A/024A ISSUE A	Zealsun Xie	Dec 07, 2009
Version	Description	DWN. BY	DATE:

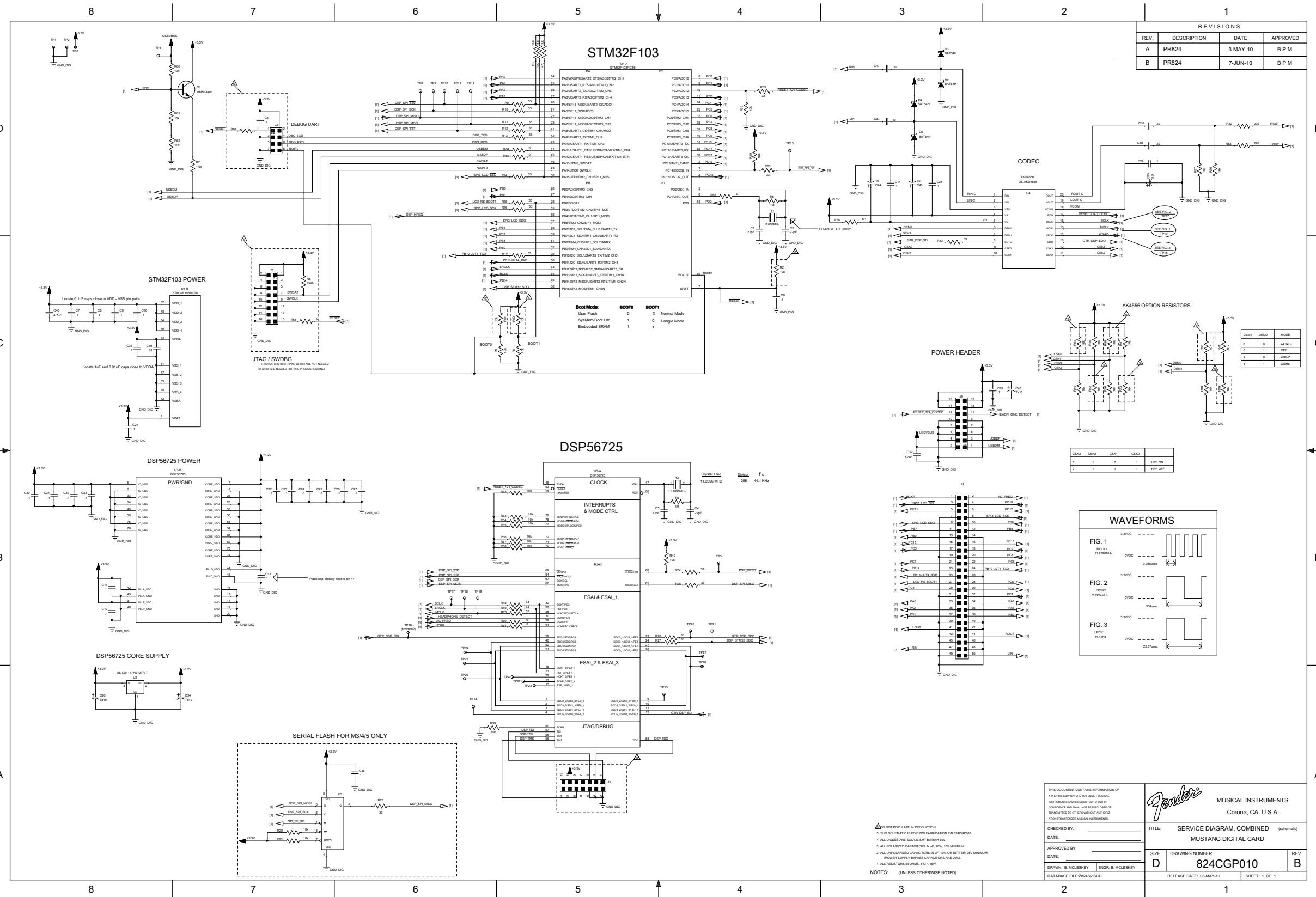
TITLE: Mustang1&2 VR&JK			
Product Code:	EFMGMUST1&2	Customer:	FENDER
SIZE: B	FILE: EFMGMUST1&2(A)	SHEET: 5 OF 5	REV: A

GP Electronics (SZ) Limited



B	Updated R199 part type T000 with the PCB Decal 1206 first	Zs Xie	Jun02 2010
B	Updated the USB Jack to Through hole type	Zs Xie	May26 2010
	Update D199 to be the BAT54H, R199 was updated to show Part Type as T000	Zs Xie	Apr 30, 2010
	1st Mass Production Run , Updated U111/112 to TSSOP pkg and Updated R199	ZK Liu	Mar 03, 2010
	1st Mass Production Run , Added D199 diode	ZK Liu	Mar 01, 2010
	1st Mass Production Run , Added R199 resistor	ZK Liu	Feb 24, 2010
	Pilot Run: SCH-MUST1010+30 Issue A,Updated U111/112 to SOP pkg	BMAC	Feb 12, 2010
A	Pilot Run: SCH-MUST1010+30 Issue A	Yang hai	Oct 15, 2009
Version	Description	DWN. BY	DATE:

TITLE: Mustang Main Board			
Product Code:	EFGMUST1	Customer:	FENDER
SIZE: D	EFGMUST1(A)	SHEET: 3 OF 5	REV: B
GP Electronics(SZ) Limited			

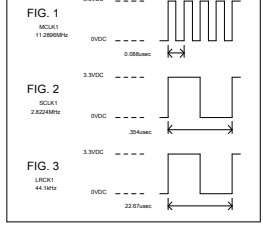


REVISIONS			
REV.	DESCRIPTION	DATE	APPROVED
A	PR824	3-MAY-10	B P M
B	PR824	7-JUN-10	B P M

STM32F103

DSP56725

WAVEFORMS



THIS DOCUMENT CONTAINS INFORMATION OF A PROPRIETARY NATURE TO GARDEN OF EDEAS INSTRUMENTS AND SHALL NOT BE DISCLOSED OR TRANSMITTED IN ANY MANNER WITHOUT AUTHORIZATION FROM GARDEN OF EDEAS INSTRUMENTS.		MUSICAL INSTRUMENTS Corona, CA U.S.A.	
CHECKED BY:	DATE:	TITLE:	REV.
APPROVED BY:	DATE:	SERVICE DIAGRAM, COMBINED (schematic)	B
DRAWN: B. MCLESKEY	ENGR: B. MCLESKEY	SIZE: D	DRAWING NUMBER: 824CGP010
NOTES: (UNLESS OTHERWISE NOTED)		RELEASE DATE: 03 MAY 10	SHEET: 1 OF 1

- 1. ALL RESISTORS IN OHMS, 5% TOLERANCE
- 2. ALL UNPOLARIZED CAPACITORS IN µF, 10% OR BETTER, 20V MINIMUM
- 3. ALL POLARIZED CAPACITORS IN µF, 20%, 10V MINIMUM
- 4. ALL DIODES ARE 500V 500MA SMD BAT54H 30V
- 5. THIS IS DRAWN TO BE FOR FABRICATION FOR ENCL0050
- 6. THIS DOCUMENT IS NOT FOR PRODUCTION